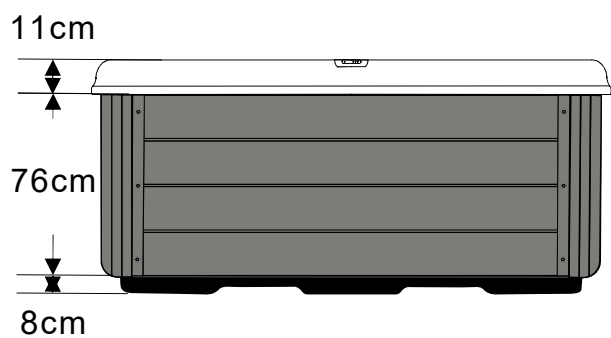
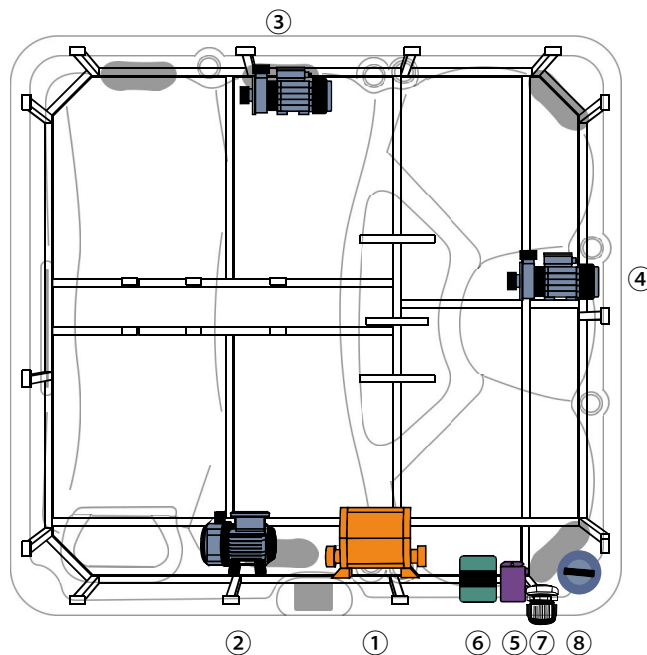
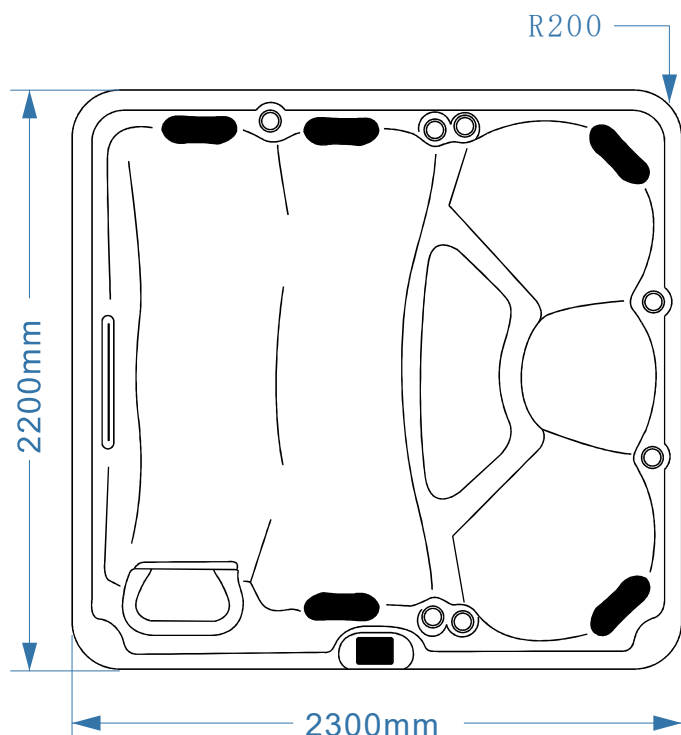










MG-05:2200x2300x950mm

Gecko YE-5(V3)/Config 2 /230v/1phase/ 32 A



No. Items	Part n°
①	 Controller
②	 SPA circulation pump(WTC50)
③	 Massage pump 1:LP300
④	 Massage pump 2:LP200
⑤	 LED Synchronizer
⑥	 Ozone
⑦	 PG head
⑧	 Drainage