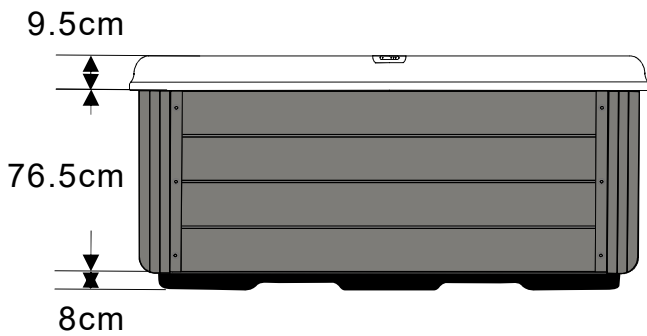
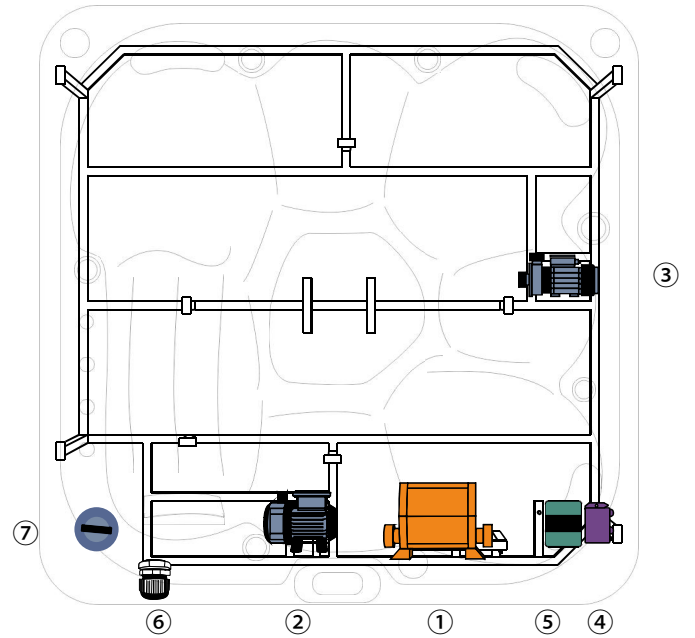
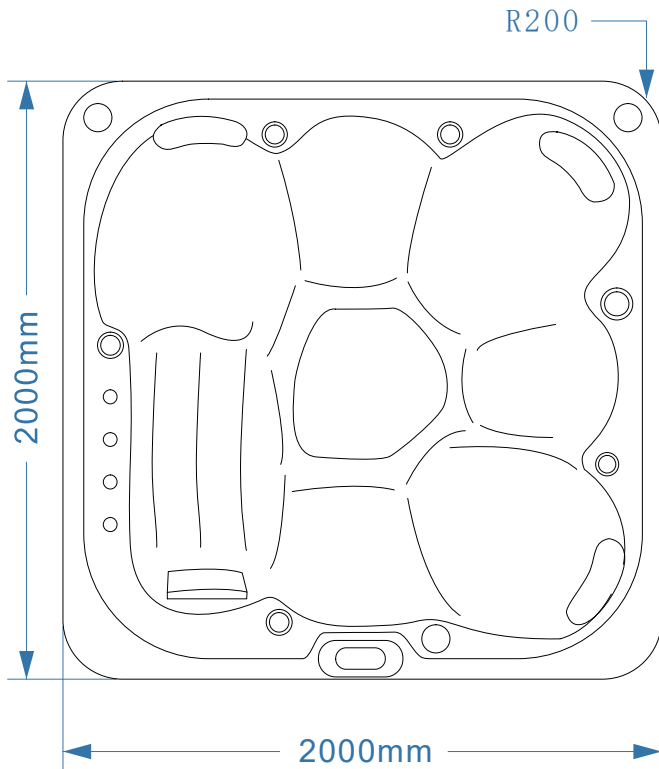









# JCS-50:2000x2000x940mm

Gecko YJ-2 /Config 23/230v/1phase/13A



No. Items	Part n°
①	 Controller
②	 SPA circulation pump(WTC50)
③	 Massage pump 1:LP300
④	 LED Synchronizer
⑤	 Ozone
⑥	 PG head
⑦	 Drainage